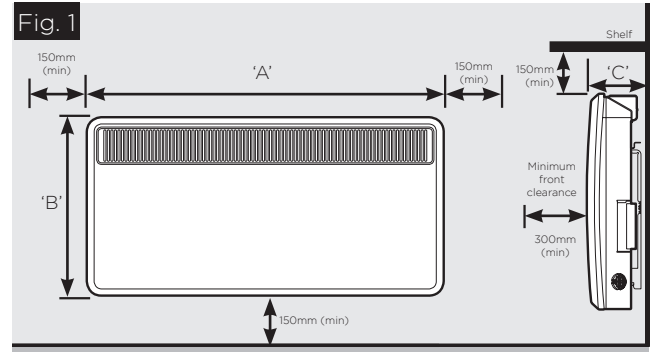


### Dimensions

MODEL	A	B	C	D	E
SPHN050E	450mm	430mm	108mm	116mm	269mm
SPHN100E	620mm	430mm	108mm	286mm	269mm
SPHN150E	690mm	430mm	108mm	356mm	269mm
SPHN200E	860mm	430mm	108mm	526mm	269mm



THESE INSTRUCTIONS SHOULD BE READ CAREFULLY AND RETAINED FOR FUTURE REFERENCE

### IMPORTANT SAFETY ADVICE

When using electrical appliances, basic precautions should always be followed to reduce the risk of fire, electrical shock, and injury to persons, including the following:

**IMPORTANT:** The wall bracket supplied with the appliance must be used.

**WARNING:** Do not use this heater in the immediate surroundings of a bath, a shower or a swimming pool

**IMPORTANT:** If the heater is installed in a room containing a bath or shower, it must be installed so that switches and other controls cannot be touched by a person using a bath or shower.

**WARNING:** In order to avoid overheating, do not cover the heater. Do not place material or garments on the heater, or obstruct the air circulation around the heater, for instance by curtains or furniture, as this could cause overheating and a fire risk.

NEVER cover or obstruct in any way the heat outlet slots at the top of the heater or the air inlet slots in the base of the heater.

**CAUTION:** Some parts of this product can become very hot and cause burns. Particular attention has to be given where children and vulnerable people are present.

This appliance can be used by children aged from 8 years and above and by persons with reduced physical, sensory or mental capabilities or lack of experience and knowledge if they have been given supervision or instruction concerning use of the appliance in a safe way and understand the hazards involved.

Cleaning and user maintenance shall not be carried out by children without supervision.

Children of less than 3 years should be kept away unless continuously supervised.

Children aged from 3 years and less than 8 years shall only switch on/off the appliance provided that it has been placed or installed in its intended normal operating position and they have been given supervision or instruction concerning use of the appliance in a safe way and understand the hazards involved.

Children aged from 3 years and less than 8 years shall not plug in, regulate and clean the appliance or perform user maintenance.

Note that due care and consideration must be taken when using this heater in series with a thermal control, a program controller, a timer or any other device that switches on the heat automatically, since a fire risk exists when the heater is accidentally covered or displaced.

If the supply cord is damaged it must be replaced by the manufacturer or service agent or a similarly qualified person in order to avoid a hazard

**WARNING:** Servicing and product repairs should only be undertaken by the manufacturer's approved service agent or a similarly qualified person, using only exact manufacturer approved spare parts.

**IMPORTANT:** The supply circuit to the heater must incorporate a double pole isolating switch having a contact separation of at least 3mm.

This product contains a replaceable battery.

**WARNING:** KEEP BATTERIES OUT OF REACH OF CHILDREN.

**WARNING:** Packaging should be disposed of responsibly as the EPS used could be a potential choking hazard for children.

**WARNING:** Do not locate the heater immediately below a fixed socket outlet or connection box



This guide is for quick reference only

To view the full manual, please scan this QR code using your smartphone or visit the product page at <https://www.sunhouse.co.uk>

## Energy Related Product Directive

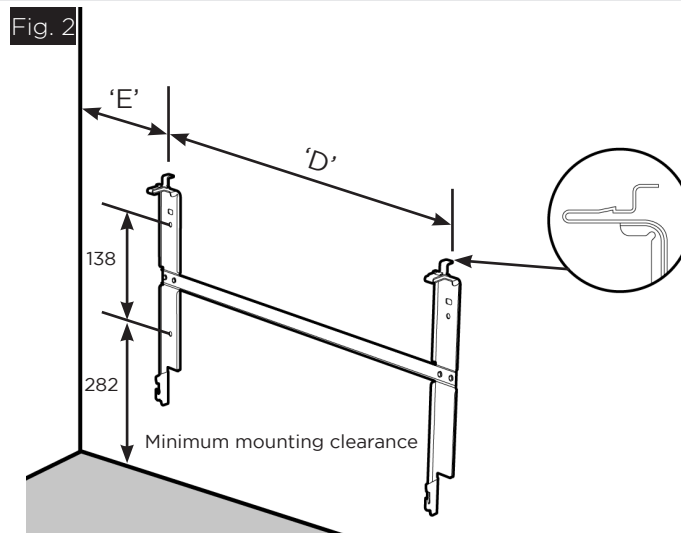
Model Identifier(s):		SPHN050E	SPHN100E	SPHN150E	SPHN200E
<b>Heat Output</b>					
Nominal heat output	P <sub>nom</sub>	0.50kW	1.00kW	1.50kW	2.00kW
Minimum heat output (indicative)	P <sub>min</sub>	N.A	N.A	N.A	N.A
Maximum heat output	P <sub>max,c</sub>	0.50kW	1.00kW	1.50kW	2.00kW
<b>Auxiliary electricity consumption</b>					
At nominal heat output	e <sub>lmax</sub>	0.00	0.00	0.00	0.00
At minimum heat output	e <sub>lmin</sub>	0.00	0.00	0.00	0.00
In standby mode	e <sub>lSB</sub>	<0.0005	<0.0005	<0.0005	<0.0005
<b>Type of heat output / room temperature control</b>					
Electronic heat charge control with room and / or outdoor temperature feedback				Yes	
<b>Other control options</b>					
Room temperature control, with open window detection				Yes	
With adaptive start control				Yes	

## General Information

The heater is designed for wall mounting using the wall bracket supplied. It should only be operated when in the upright position as shown - see Fig. 1. All models are splash proof to IP24. Before connecting the heater check that the supply voltage is the same as that stated on the heater.

## Wall Mounting

**IMPORTANT** The wall bracket supplied with the heater must be used and the heater must be installed in the correct orientation. The fixings should be used to secure the bracket to the particular wall on which the heater will be installed. The heater should be positioned observing the minimum clearances stated around the heater - see Fig. 1.



To mount the heater to the wall:

1. Remove wall mounting bracket from the back of the heater by depressing the spring latch at the side of each bracket - see Fig. 2.
2. Fix the wall bracket securely to the wall through the four screw holes.
3. Present the heater to the wall bracket and engage bottom slots in the back with bracket hooks.
4. Press heater into locked position and ensure the clips on the top are engaged.
5. Remove protective film from the user interface.



**WARNING:**

This product is heavy and care should be taken in installation

# Quick Start Guide

## How does the heater control work?

The control allows you to choose when you want heat and at what temperature. When using a timer mode (see below) **ON** will display on the home screen to tell you when the heater is maintaining the temperature displayed. The current time will be displayed when the heater is outside of a timed heating period. When Manual, Schedule or Frost modes are being used the heater will always maintain the temperature shown on the home screen.

## Set the Time

To set the date and time on the heater, press Menu, then press Up three times to highlight the Date & time Icon, press Enter. Use the Down and Up to increase/decrease the hour, press Enter to confirm. Repeat this process to set the minutes, Day, Month and Year. Press Enter to confirm and return to home screen.

## Set the Temperature

The temperature shown on the display is the target room temperature known as Setpoint. This is the temperature that the heater will maintain during the heating periods. If the room temperature is above this temperature then the heater will not operate. The heater leaves the factory with this temperature set at 21°C which represents a typical comfortable room temperature. If you require a different room temperature then press either Down or Up until the display shows the temperature you require

Your heater comes pre-programmed with four heating periods. These periods set the time and temperature at which the heater operates in Comfort ON mode. These four periods are:

- P1: 07:00 – 09:00 21°C
- P2: 10:00 – 12:00 7°C
- P3: 13:00 – 15:00 7°C
- P4: 17:00 – 21:00 21°C

## Child Lock

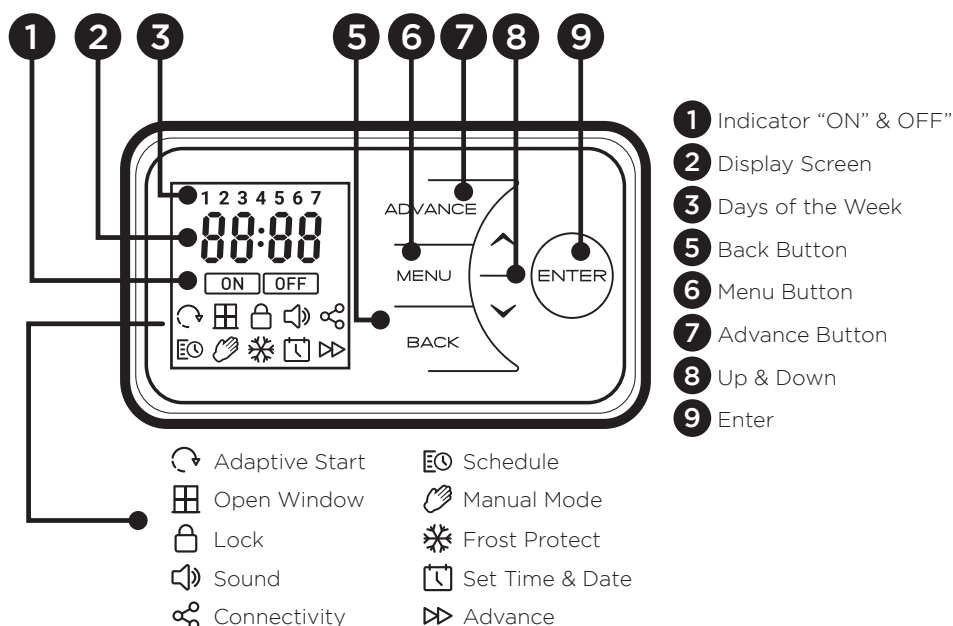
If you need to lock the controls so that the settings cannot be changed then activate the Child Lock. To lock the controls press and hold both the Back button and Enter button together for 3 seconds. The Lock icon will appear on the screen. To unlock repeat the action by pressing both the Back button and Enter for three seconds.

## Advance

Sometimes you may be at home when you had not planned to be or need to leave when you had planned to have heating on. You can change the way you use your heating temporarily; this temporary change is achieved using the Advance function.

When a timer has been selected, the Advance function allows you to begin the next period early. If the heater is in a Comfort Off period and you want heat - press the Advance button. The Advance icon will be displayed on the screen. If the heater is in the Comfort On and you don't want heat, press the Advance button and it will go off until the beginning of the next Comfort On Period.

The controls are located on the top of the heater. The heater is fitted with an adjustable electronic controller consisting of a display screen and six touch sensitive buttons.



## Your Guarantee



To view the full guarantee terms and conditions scan this QR code using your smartphone or go to <https://www.gdhv.co.uk/guarantee-terms-and-conditions>.

Your Sunhouse product is manufactured by Glen Dimplex UK operating as Glen Dimplex Heating & Ventilation. GDHV designs and manufactures products to ensure they deliver reliable service for normal use in domestic dwellings and, where specified by us, in light commercial premises.

GDHV products are individually tested before leaving the factory. Your product comes with a 2 year parts and labour guarantee for repair or replacement of faulty goods and/or partial refund in the event that a repair or replacement is not available.

Your guarantee is provided by Glen Dimplex UK Ltd operating as Glen Dimplex Heating & Ventilation Ltd, Millbrook House, Grange Drive, Southampton SO30 2DF. Terms and conditions apply.

The GDHV guarantee does not in any way diminish or affect your statutory consumer rights in connection with your product.

If you experience a problem with your product during or after the guarantee period, visit our online help centre:



[help.gdhv.co.uk/support/home](http://help.gdhv.co.uk/support/home)

Please note for support you will need the model and serial number of your product and a description of the fault which has occurred.

## Recycling



For electrical products sold within the European Community. At the end of the electrical product's useful life it should not be disposed of with household waste. Please recycle where facilities exist. Check with your Local Authority or retailer for recycling advice in your country. Batteries should be disposed of or recycled in accordance with WEEE Directive 2012/19/EU. Packaging should be recycled where possible.

[www.dimplex.co.uk](http://www.dimplex.co.uk)

Sunhouse

Glen Dimplex Heating and Ventilation,  
Millbrook House, Grange Drive, Hedge End, Southampton, SO30 2DF  
Glen Dimplex Europe, Airport Road, Cloghran, Co. Dublin K67 VE08