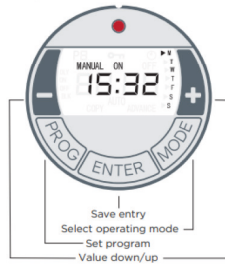


SPH Compact Panel Heater

Product Description



Controls close-up

The SPH features intuitive user controls, with LCD display and 7-day programmable timer.

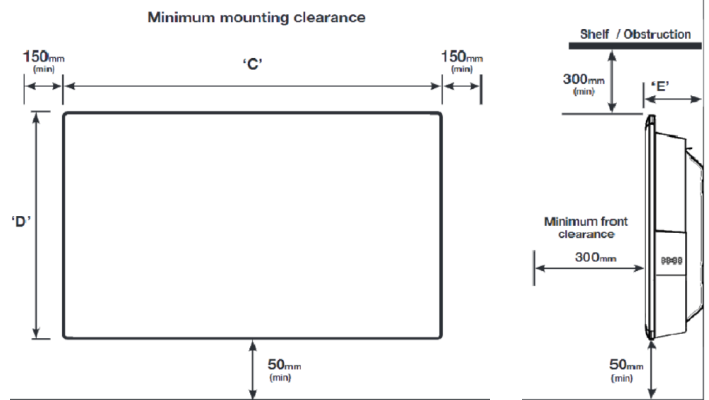
Key Features

- Intuitive user controls with LCD display
- 7 Day programmable timer
- Electronic thermostat
- Features energy-saving Adaptive start technology
- Complies with Lot 20 of ERP Directive

Technical Details

Controls	Digitally controlled, Electronic Thermostat 15° viewing angle control panel for easy programming
Controller Functions	<ul style="list-style-type: none"> • Adjustable max SP range (5-30°C) • 7 Day Timer • Adaptive-start • 4 programme periods per day
Construction	Durable epoxy-polyester powder coated steel casing
Element	Compact, finned, mineral filled sheathed element
Installation	1 H-frame wall bracket for easy fixing
Safety	Thermal cut-out. Auto reset type
IP Rating	IP20
Supply	1.3 metres fitted for spur connection ~230-240V 50Hz, Class I
Colour / Finish	Metal Chassis, Air Outlet Grille & Control Moulding – Traffic White (RAL 9016)

Dimensions



Model No.	SPH050	SPH0100	SPH0150	SPH0200
EAN no	087546	087553	087560	087577

PERFORMANCE				
Output Rating (kW)	0.50	1.00	1.50	2.00

DIMENSIONS				
D (mm) Including Feet	400	400	400	400
C (mm)	425	525	625	925
E (mm)	115	115	115	115
Weight (Kg)	3.4	3.8	4.6	6.5

Warranty & Approvals

Approvals	CE / UKCA / UKCI
Warranty	2 Years
Country of Origin	United Kingdom
Manufacturer	Glen Dimplex Heating & Ventilation (GDHV)

Additional Information

Model No.	Ti	Hi	Pallet Quantity (2.4m high)
SPH050	17	4	68
SPH0100	16	4	64
SPH0150	12	4	48
SPH0200	8	4	32

Packaging Details

Model No.	Height	Width	Depth	Weight
SPH050	440	450	140	3.4
SPH0100	440	550	140	4.3
SPH0150	440	650	140	4.9
SPH0200	440	950	140	7.5